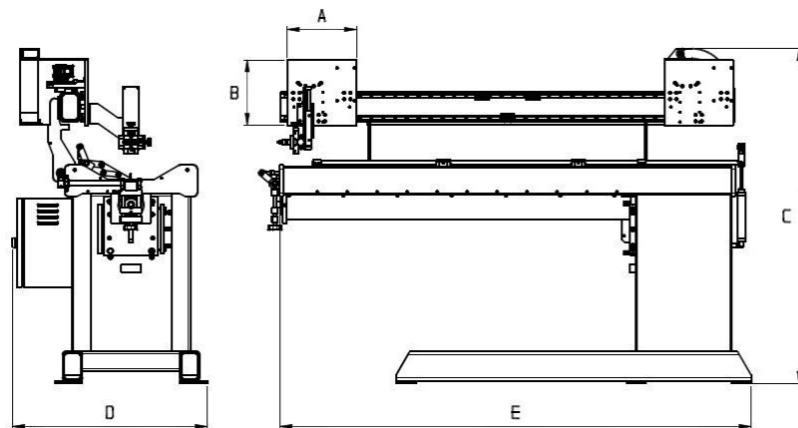


Specification

Model	Unit	LS-06	LS-09	LS-12	LS-15	LS-18	LS-24	LS-30	LS-36
Power input		1 phase, 200~230 VAC, 50 / 60Hz							
Carriage drive		Rack & Pinion							
Drive motor		Servo motor							
Thickness	mm	0.1 - 10							
Welding length	mm	684	988	1,296	1,596	1,900	2,508	3,116	3,724
Workpiec min. dia.	mm	67	89	108	133	152	184	241	311
Workpiec max. dia.	mm	850							
Travel accuracy	mm	± 0.05							
Carriage speed	mm/min	2 ~ 16,000							
Carriage width (A)	mm	350							
Carriage height (B)	mm	332							
Overall height (C)	mm	1,720							
Overall width (D)	mm	990							
Overall length (E)	mm	1,480	1,780	2,085	2,390	2,820	3,430	4,140	4,740

*Specifications subject to change without notice

Dimensions



LS

Longitudinal Seamer

Welding Automation



Longitudinal Seamer

ProArc makes your welding process easy and smart.

ProArc external seam welder are designed for straight line welding for flat-plate or round tank/vessel.

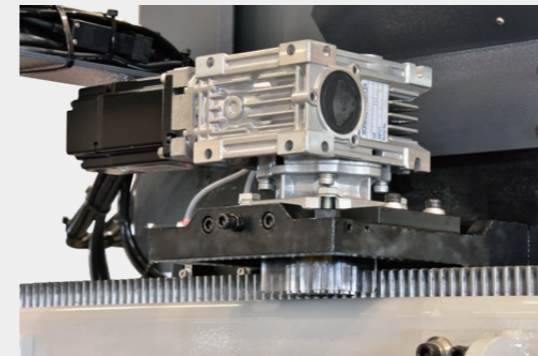
100% penetration in single pass weld on untacked workpiece without heat distortion on the material.

It optimizes productivity by reducing welding costs and improving quality.

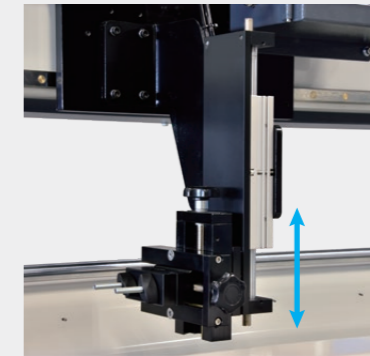


Features

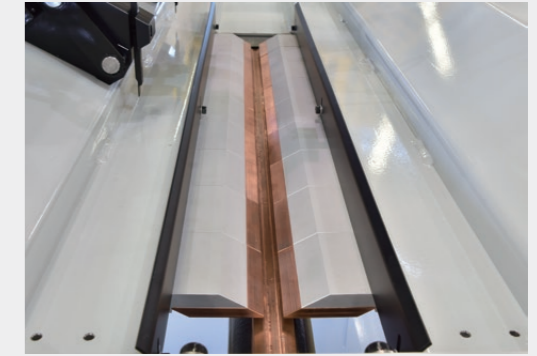
- Side-beam utilizes precision rack and pinion with servo motor driving carriage
- Double linear guide way ensure reliability and repeatability
- Keyboard design with air-bag clamp provides average pressure for clamping
- Special design backing-bar for mandrel
- Reversible copper fingers
- PLC controller with touch screen HMI
- Support difference welding process including: MIG / TIG / Plasma / Submerged Arc ...



- Precision rack and pinion with servo motor driving



- Pneumatic torch lift with manual slide and torch holder



- Finger clamp is constructed with two materials - copper and aluminum

Optional accessories

- Retractable edge alignment device
- Air powered edge alignment device
- Water cooling mandrel
- Mandrel spacer
- Automatic shield gas purge system
- Pneumatic mandrel clamping device
- Fixed riser block
- Heavy duty riser block (removable)
- Dual pressure control
- Auto loading travel car
- Self-aligning idler rolls
- ProArc digital cold wire feeder

Full digital control

The system employs PLC controller together with 7 inches touch screen HMI provides an intuitive graphical interface and presents clear numerical data in operation.

- Multi-language available: Traditional Chinese / English / Russian / Spanish / Vietnamese
- Graphical welding sequence and 9 configurable timers editing for flexible operation
- 2 / 4 welding start trigger mode setting
- Precision speed control
- 100 sets of welding sequence can be saved and loaded for future use
- Program search function available for quick access to particular welding sequences
- Alarm history, alarm messages and PLC I/O monitoring functions easy for maintenance



Controller screen

